

Inlet for front or rear side mounting, fuse 1-/2-pole, line switch 2-pole

Standard or Medical Fuse drawer



new



Screw-On Version



Description

- Panel Mount:
Screw-on version from front or rear side
- 3 Functions:
Appliance Inlet Protection class I, Line switch 2-pole, Fuseholder for fuse-links 5 x 20 mm 1- or 2-pole
- Quick connect terminals 4.8 x 0.8 mm
- Alternative: version with line filter [DD12](#)
- Alternative: version for snap-in mounting [KM](#)
- Alternative: version for PCB mounting [DD21](#)

Approvals

- VDE License Number: 40018283
- UL License Number: E93617

Characteristics

- Ultra-compact design. Ideal for low profile designs
- All single elements are already wired
- Fuse drawer meets requirements of medical standard IEC/EN 60601-1
The fuseholder is accessible from the equipment front
- For added safety "Extra-Safe" fuse drawers are available
- Ideal for application with high transient loads
- Designed for standard and medical applications
- Qualified for use in equipment according IEC/EN 60950

Other versions on request

- Solder terminals
- Fuse drawer 1-pole, plus spare fuse case
- Fuse drawer 2-pole, with shorting bar
- Other rocker marking
- Line switch 1-pole
- Protection class II, 70°C

Weblinks

[Approvals](#), [RoHS](#), [CHINA-RoHS](#), [e-Store](#), [SCHURTER-Stock-Check](#), [Distributor-Stock-Check](#)

Technical Data

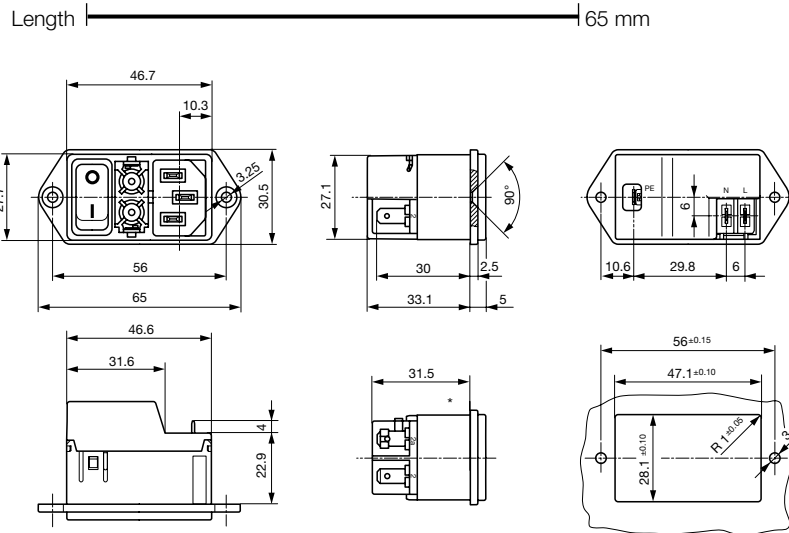
Ratings IEC	10A / 250VAC; 50Hz
Ratings UL/CSA	8A / 250VAC; 60Hz ¹⁾
Dielectric Strength	> 2.5 kVAC between L-N > 3 kVAC between L/N-PE (1 min/50Hz)
Allowable Operation Temp.	-25 °C to 85 °C
Degree of Protection	from front side IP 40 acc. to IEC 60529
Protection Class	Suitable for appliances with protection class I acc. to IEC 61140
Terminal	Quick connect terminals 4.8 x 0.8 mm
Panel Thickness s	Screw-on: max 8 mm Mounting screw torque max 0.5 Nm Rear side mounting: max 2 mm
Material: Housing	Thermoplastic, black, UL 94V-0

Appliance-Inlet/-Outlet	C14 acc. to IEC/EN 60320-1 UL 498, CSA C22.2 no. 42 (for cold conditions) pin-temperature 70 °C, 10A, Protection class I
Fuseholder	1 or 2 pole, Shocksafe category PC2 acc. to IEC 60127-6, for fuse-links 5 x 20 mm
Rated Power Acceptance @ Ta 23 °C	5 x 20: 2 W (1 pole)/ 1.6 W (2-pole) per pole
Power Acceptance @ Ta > 23°C	Admissible power acceptance at higher ambient temperature see derating curves
Line Switch	Rocker switch 2-pole, non-illuminated or illuminated, acc. to IEC 61058-1 Technical details

1) with cover 7 A, without cover 8 A

Dimensions

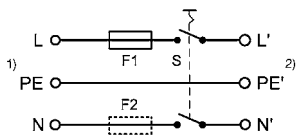
Screw version



*) view without cover

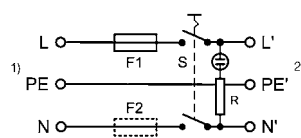
Diagrams

non illuminated



1) Line
2) Load

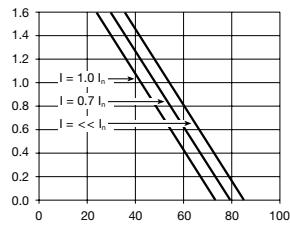
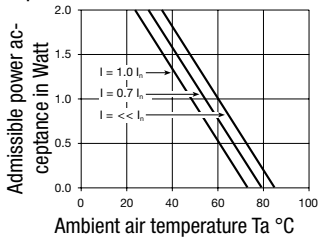
illuminated



1) Line
2) Load

Derating Curves

1-pole



Variants

Fuse drawer must be ordered separately (see accessories).
Fingerrip and Extra Safe. The same drawer as used by type KEA.

Fuseholder	Line Switch	Illumination	Color	Cover ¹⁾	Order Number
1 pole	2-pole	non-illuminated	-		DD11.0111.1110
1 pole	2-pole	illuminated	red		DD11.0113.1110
1 pole	2-pole	illuminated	green		DD11.0114.1110
2-pole	2-pole	non-illuminated	-		DD11.0121.1110
2-pole	2-pole	illuminated	red		DD11.0123.1110
2-pole	2-pole	illuminated	green		DD11.0124.1110
1 pole	2-pole	non-illuminated	-	●	DD11.0111.1111
1 pole	2-pole	illuminated	red	●	DD11.0113.1111
1 pole	2-pole	illuminated	green	●	DD11.0114.1111
2-pole	2-pole	non-illuminated	-	●	DD11.0121.1111
2-pole	2-pole	illuminated	red	●	DD11.0123.1111
2-pole	2-pole	illuminated	green	●	DD11.0124.1111

¹⁾ current rating UL: with cover 7 A, without cover 8 A

Packaging unit 40 Pcs

Required Accessory

Description

Fusedrawer 2
Fusedrawer with and without voltage selector insert



Fingergrip, 2-pole	4301.1401
Extra-Safe, 2-pole	4301.1403
Fingergrip, 1 pole	4301.1405
Extra-Safe, 1 pole	4301.1407
...	...

Accessory



Cord retaining kits
Cord retaining strain relieve

Flat head, A	4700.0001
--------------	-----------

Mating Outlets/Connectors

Category / Description

Appliance Outlet



IEC appliance outlet F, screw-on mounting, front side, solder /quick connect terminal	4787
IEC appliance outlet F, screw-on mounting, front side, solder /quick connect terminal	4788
IEC appliance outlet F oder H, screw-on mounting, front side, solder/PCB/quick connect terminal	5091
IEC appliance outlet F oder H, screw-on mounting, front side, solder/quick connect terminal	5092

Connector



IEC cord connector C15, rewirable, straight	0101
IEC cord connector C15A, rewirable, straight	0102
IEC cord connector C15A, rewirable, straight	0102-G
IEC cord connector C15A, rewirable, angled	0112
IEC cord connector C13, rewirable, angled	4012
IEC cord connector C13, rewirable, angled	4013
IEC cord connector C13, rewirable, straight	4020
IEC cord connector C13, rewirable, straight	4021
IEC cord connector C13, rewirable, straight	4022
IEC cord connector C13, rewirable, angled	4300-06
...	...